



**PRODUCT INFORMATION** S11-Form\_TY\_US - 06.12.2016 - [www.vs-furniture.com](http://www.vs-furniture.com)

## Series 1100 Stand-at and sit-at workplace (freely-shaped tables).

The table consists of a working surface with set-back frame of rectangular steel tube supported by a middle post with floor plate.

Supporting post (Powerlift) of naturally-anodised aluminium with height adjustment either manually with a winding handle or motorised with optional programming facility. The patented specially shaped floor plate with plastic cover allows the easy parking of pedestals and offers optimum legroom.

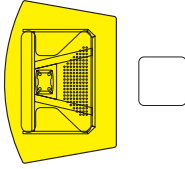
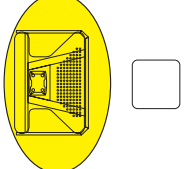
Add-on elements can be positioned on the post (cable channel) or on the cross-member (screen).

Electrification is supplied by either a wire cable basket underneath the top or a removable perforated-metal panel on the post.

The table top (rectangular) is of a melamine-resin laminated, veneered or linoleum covered LIGNOpal chipboard with glued-on (KU) plastic or (BU) beech edges and rounded corners.

The following material groups are available to choose from: Frame made of aluminium: M(anodisé); Top made of LIGNOpal-plastic/beech: L3; Top made of linoleum: L8; Top veneered: F1.

Further products on this page: PantoMove-VF.

					
Series 1100		21106	21116	21117	21121
w-d		60 <sup>7</sup> / <sub>8</sub> /48 <sup>5</sup> / <sub>8</sub> -35 <sup>1</sup> / <sub>2</sub> /43 <sup>3</sup> / <sub>8</sub>	60 <sup>7</sup> / <sub>8</sub> /47 <sup>1</sup> / <sub>4</sub> -39 <sup>3</sup> / <sub>8</sub> /47 <sup>1</sup> / <sub>4</sub>	66 <sup>3</sup> / <sub>8</sub> /39 <sup>3</sup> / <sub>8</sub> -39 <sup>3</sup> / <sub>8</sub> /45 <sup>1</sup> / <sub>4</sub>	67-39 <sup>3</sup> / <sub>4</sub>
h (motor)			26 <sup>3</sup> / <sub>4</sub> -34 <sup>5</sup> / <sub>8</sub>	(26 <sup>3</sup> / <sub>4</sub> -46 <sup>1</sup> / <sub>8</sub> )	
sq. inch		2.26	2.45	2.31	2.09